

Claro T Ceiling System

Typical Panel Details featuring Lift and Shift Installation and Accessibility

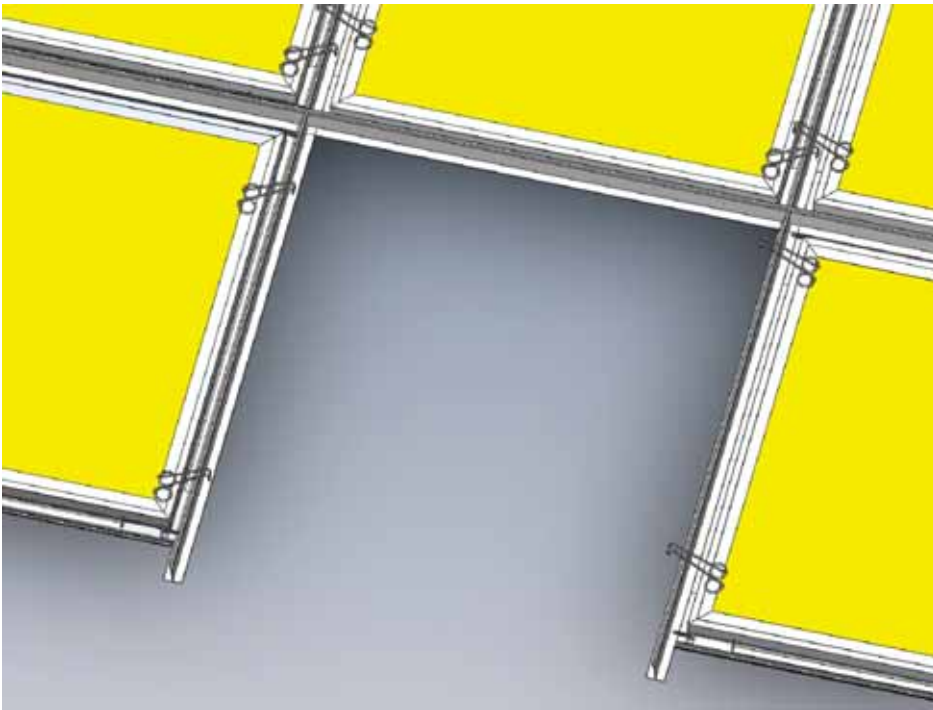


Designed and Engineered
by Decoustics

www.decoustics.com
sales@decoustics.com

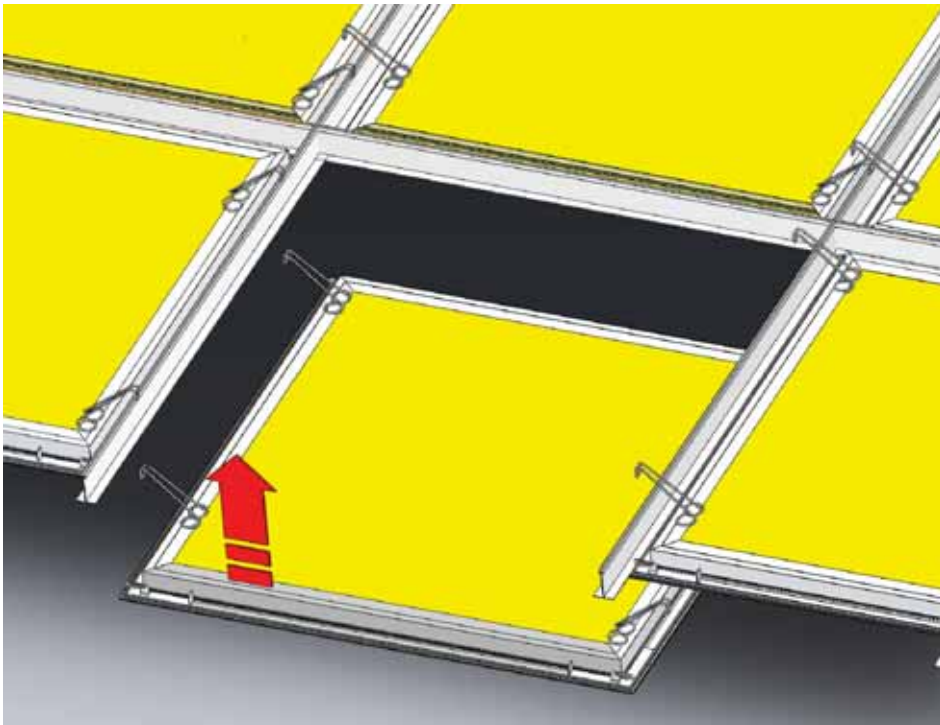
decoustics
SAINT-GOBAIN

61 Royal Group Crescent, Woodbridge, Ontario L4H 1X9
Main (905) 652-5200, Toll Free (800) 387-3809, Fax (805) 652-2505
sales@decoustics.com, www.decoustics.com



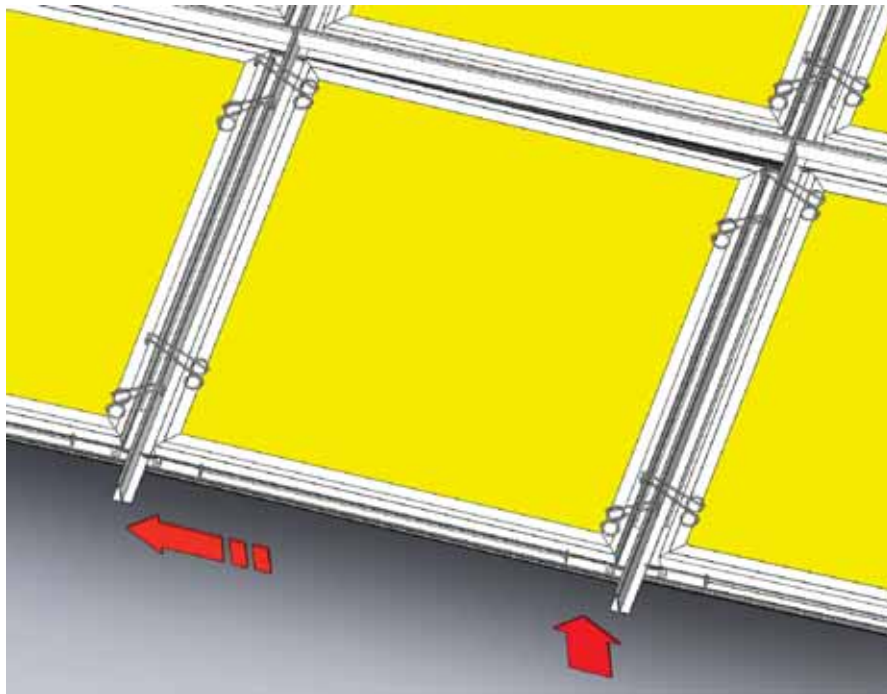
1. T bar Ceiling Installation

Note: Claro T panels are always installed with the support clips resting on the main 15/16" T bar support. All ceiling panels are oriented in the same direction as indicated on the back of the ceiling panels.



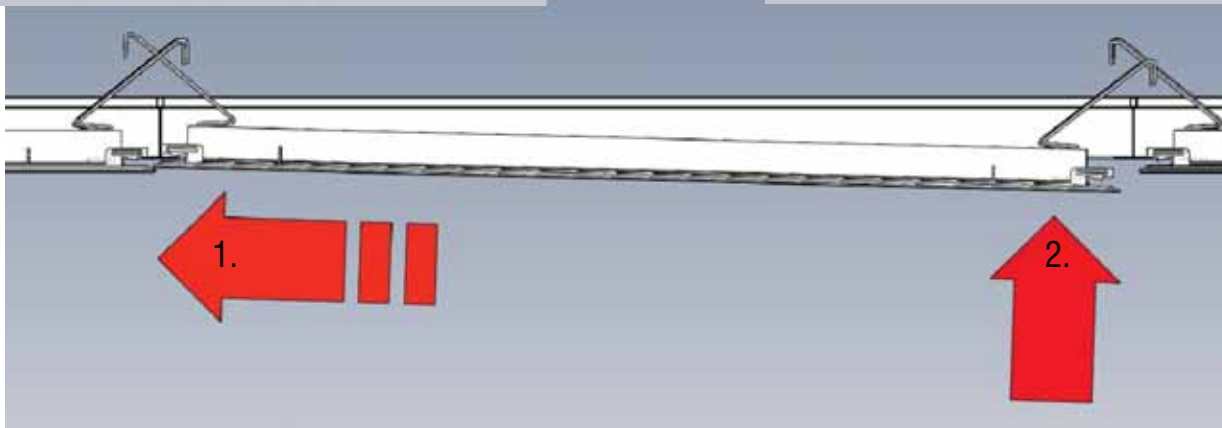
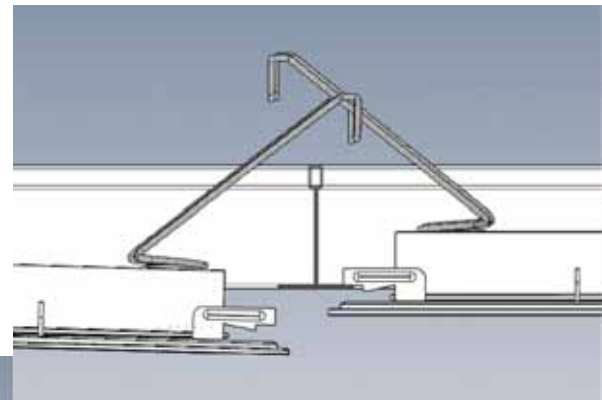
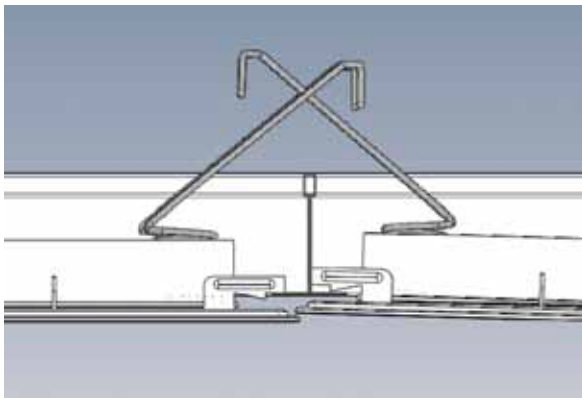
2. Claro T System Panels

To install Claro T panels orient and align the ceiling panel with the 15/16" T bar opening.



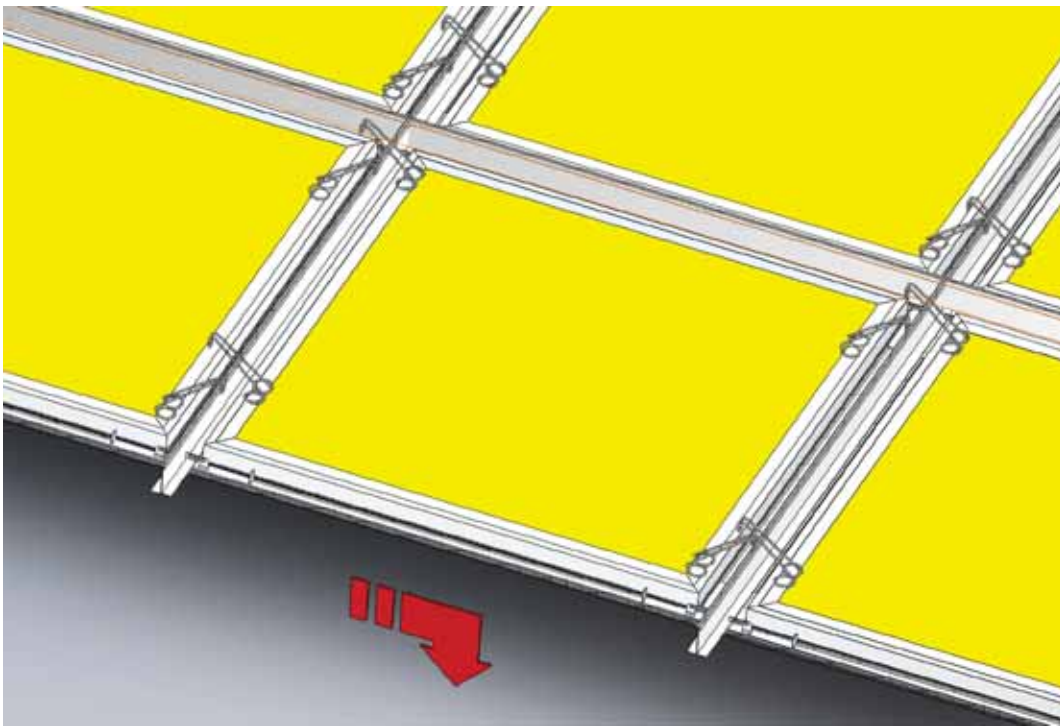
3. Panel Edge Insertion

Insert the leading panel edge onto the main 15/16" T bar while gently easing the safety clips beyond the T bar rail so that the panel edge face is between the installed Claro T panel and the "T" bar (as shown in detail below)



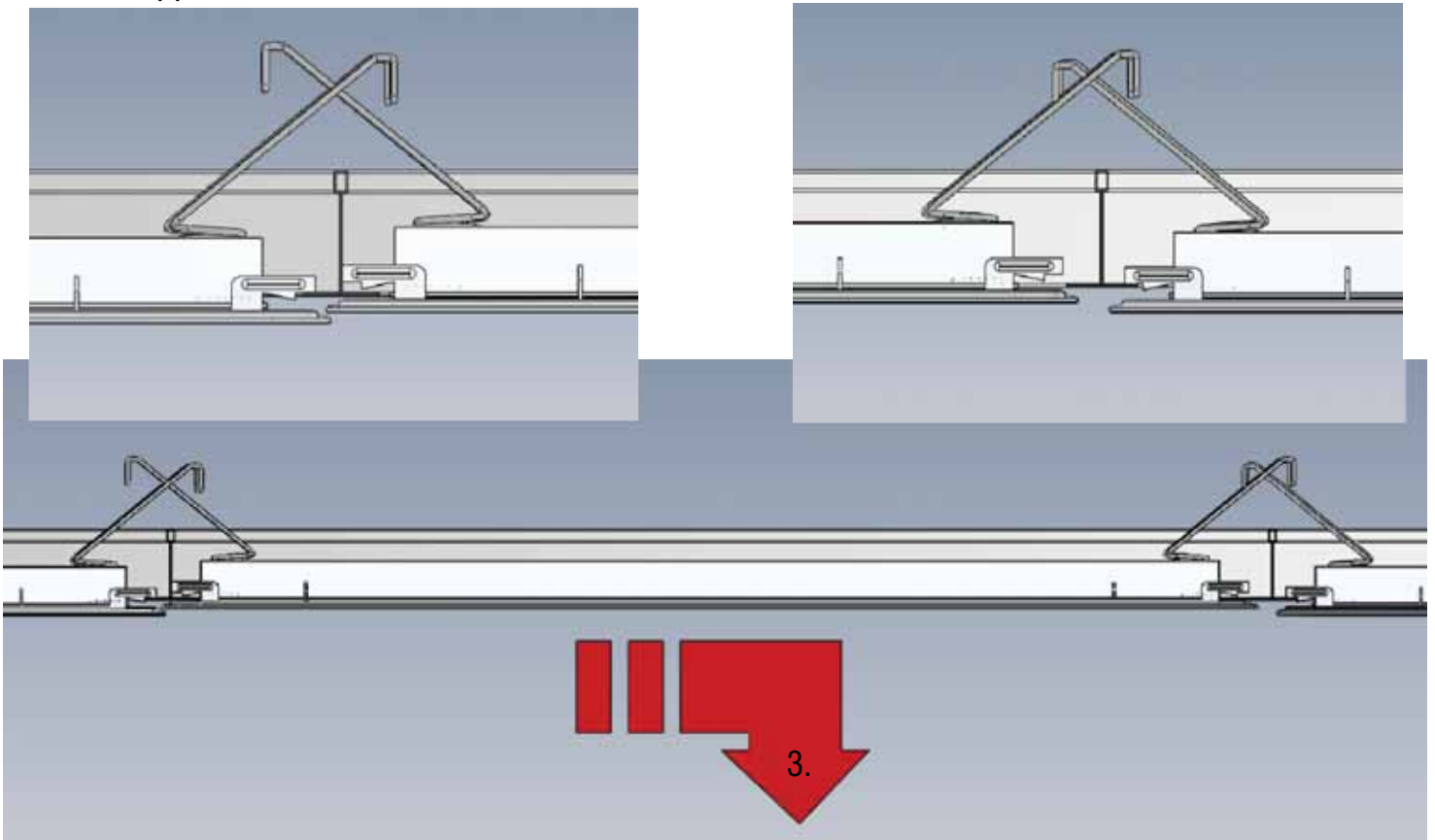
4. Panel Edge Insertion

While inserting the leading panel edge into position on the main 15/16" T bar swing the opposite side of the panel up and beyond the opposite main "T" bar support (as shown). Gently ease the safety clips beyond the T bar rail as the panel is raised.



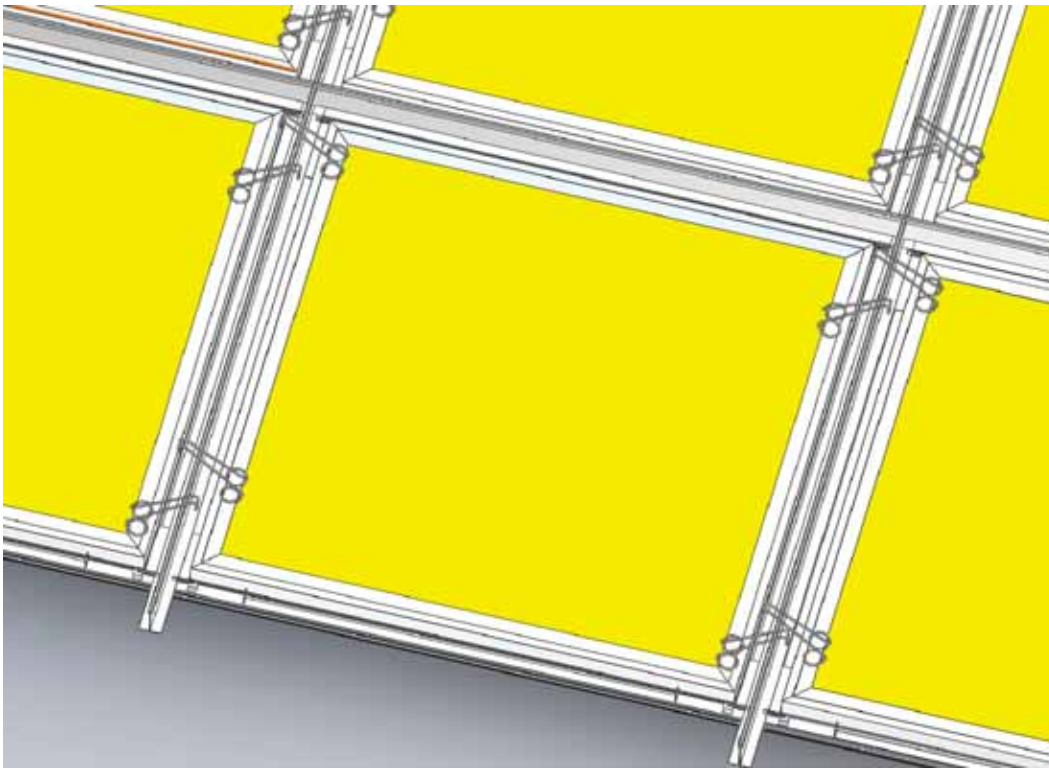
5. Panel Alignment

When the Claro T panel is positioned above the 15/16" T bar support locate the panel in relation to the surrounding installed ceiling panels and lower into position on the 'T' bar support.



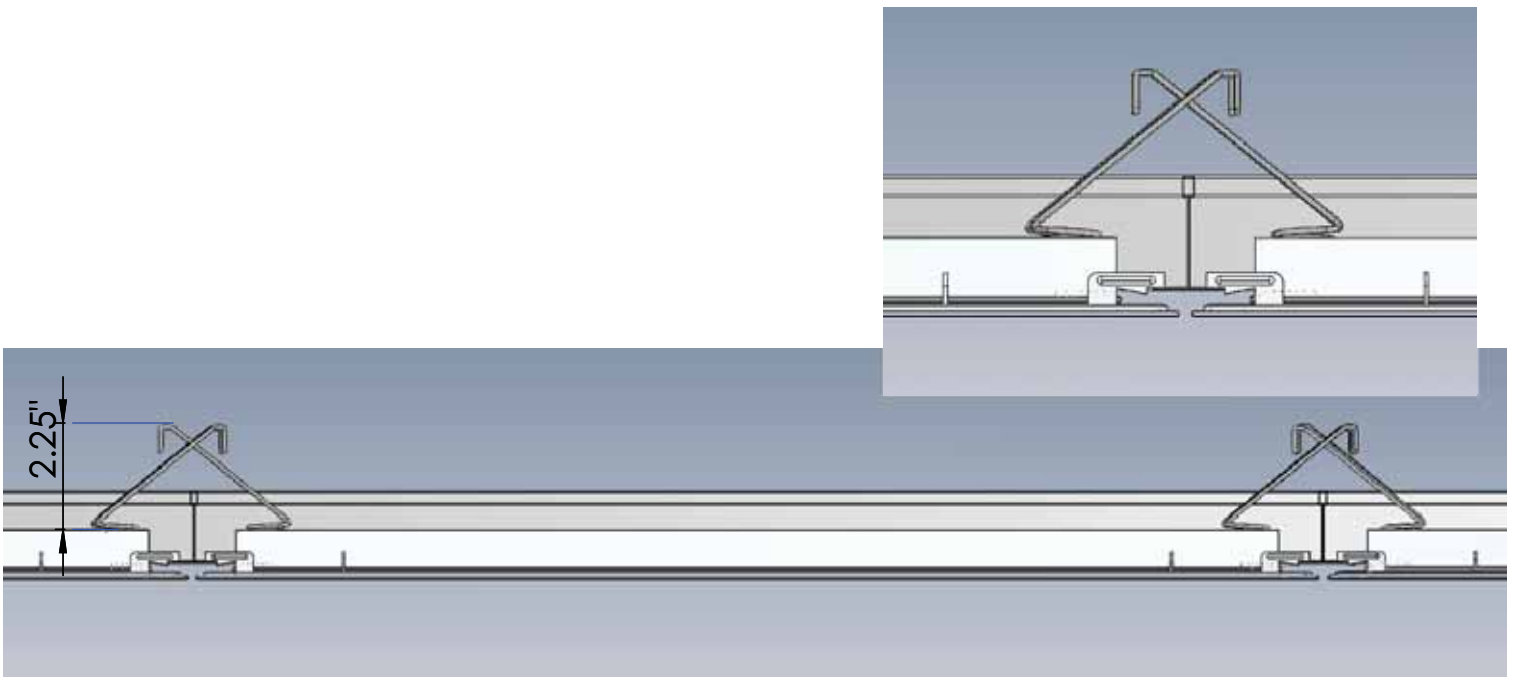
6. Panel Placement

Installed Claro T panels should align themselves with a 3/16" defined joint between all surrounding panels.



7. Panel Installation

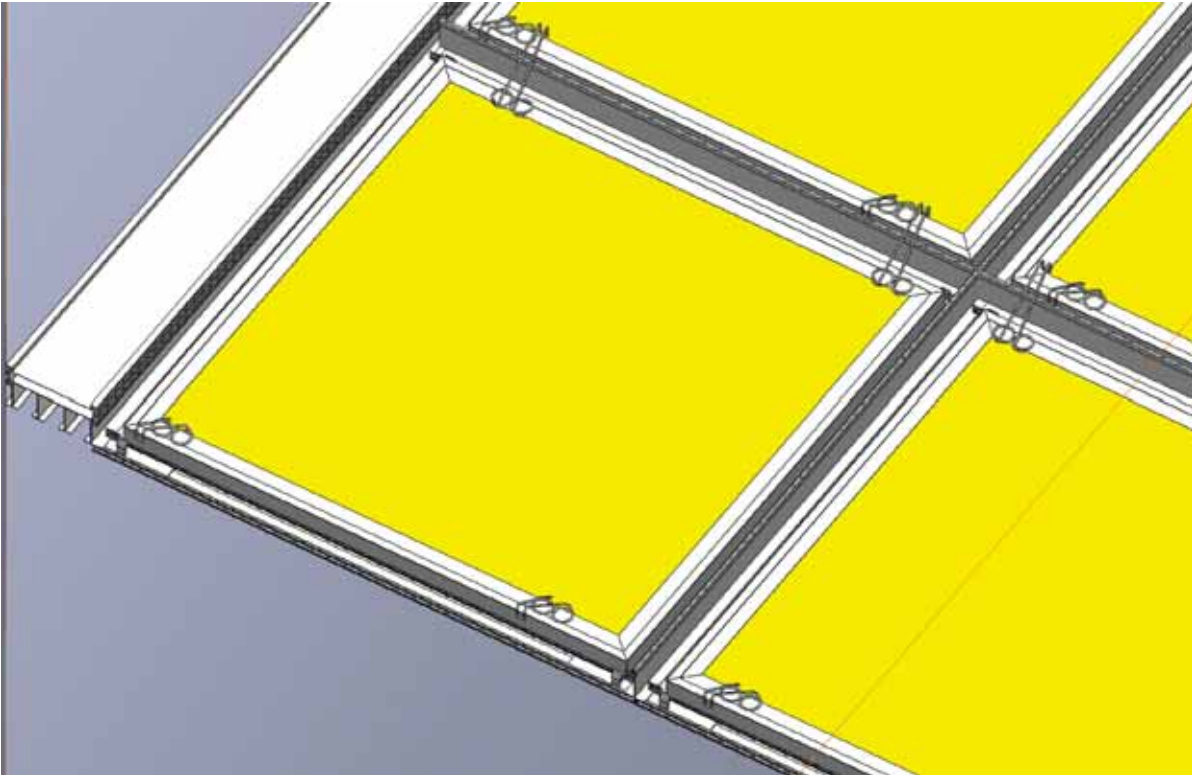
When properly installed Claro T panels feature a uniform, level, and consistent ceiling installation. (Note : the angled wire safety clips attached to the back of the panels ensure that the panels will not fall out of the "T" bar ceiling should they be inadvertently dislocated)
Use four safety clips with 4' x 4' panels, Use six safety clips with 2' x 6' and 2' x 8' panels.



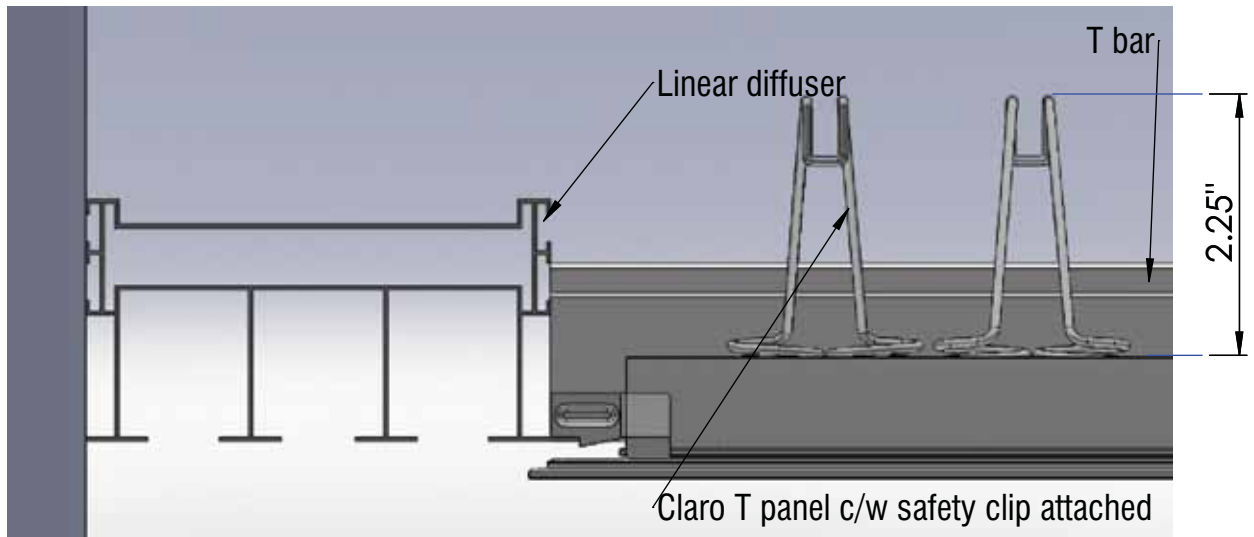
8. Panel Installation Complete

Typical Component Installation Details Claro T

Typical Linear Diffuser Installation



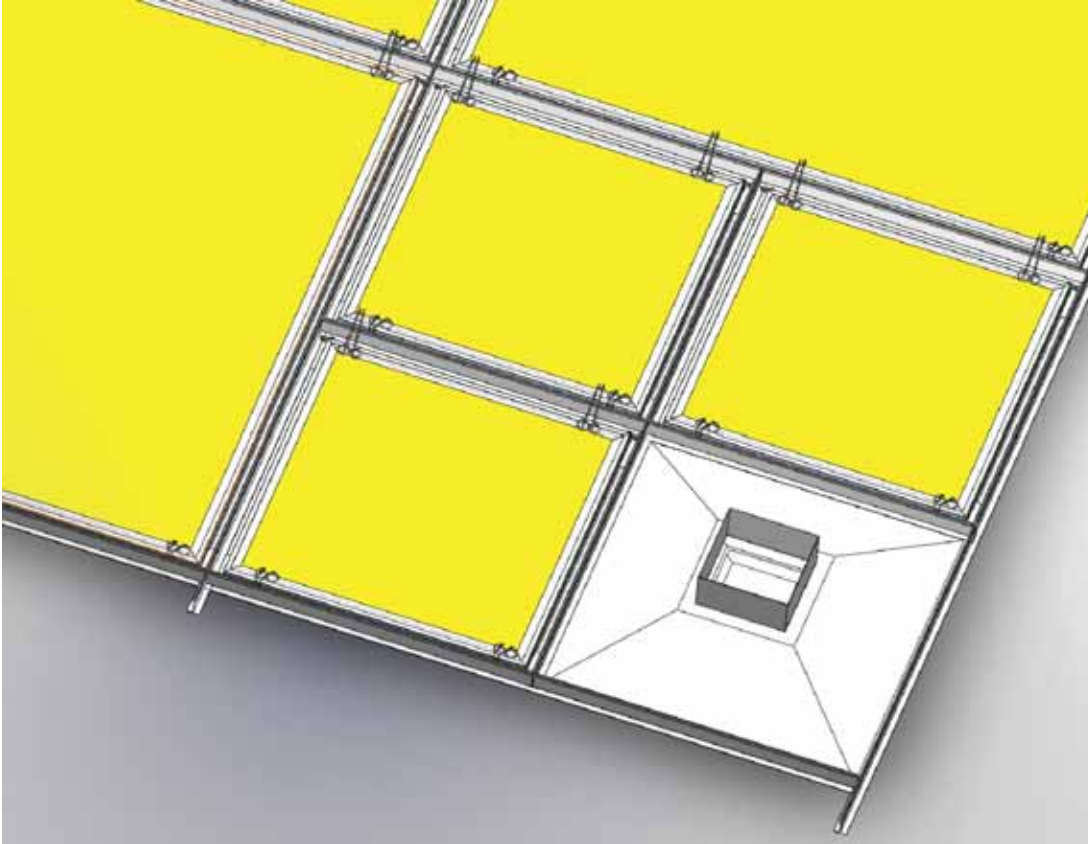
Claro T panels utilizing standard heavy duty 15/16" T bar can accommodate the use of linear diffusers. The diagram below illustrates a typical linear diffuser installation detail. (Note : the angled wire safety clips attached to the back of the panels ensure that the panels will not fall out of the "T" bar ceiling should they be inadvertently dislocated)



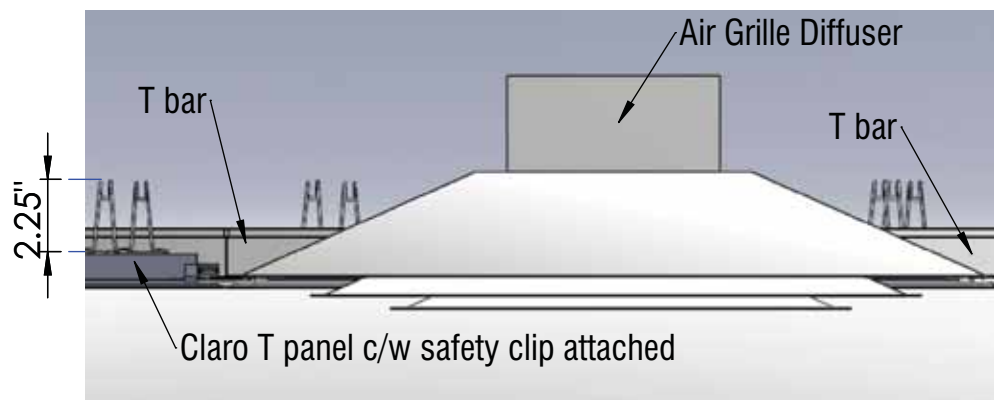
- Side View - Claro T Typical Linear Diffuser Installation

Typical Component Installation Details Claro T

Typical Air Grille Installation



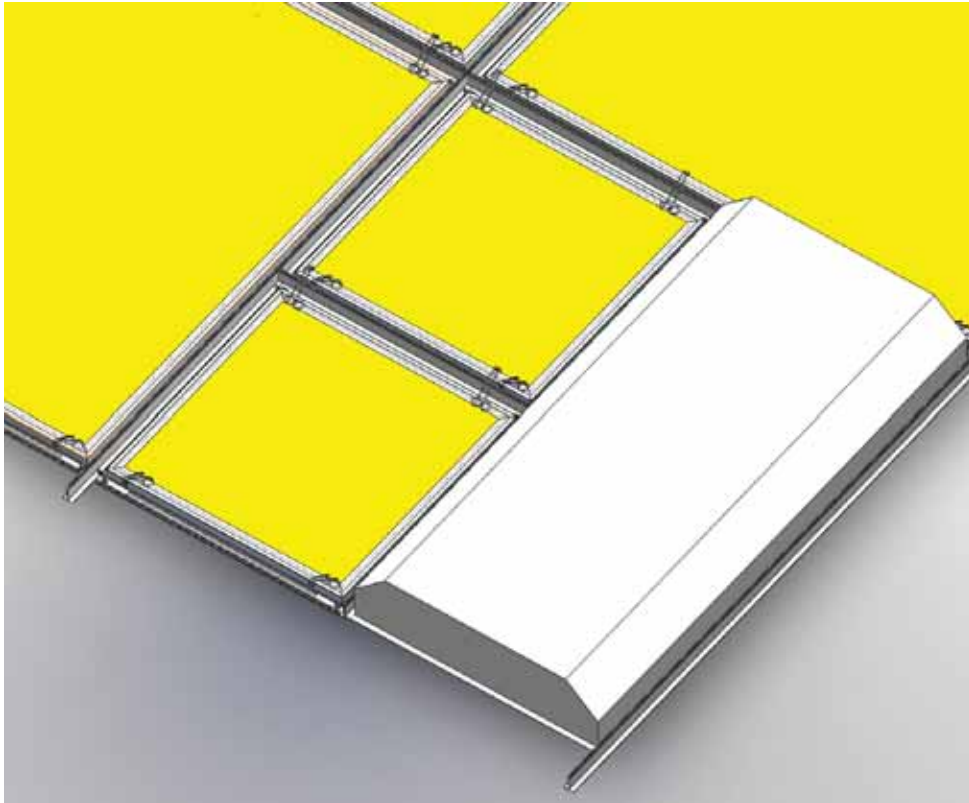
Claro T panels utilizing standard heavy duty 15/16" T bar can accommodate the use of air grille diffusers. The diagram below illustrates a typical air grille diffuser installation detail. (Note : the angled wire safety clips attached to the back of the panels ensure that the panels will not fall out of the "T" bar ceiling should they be inadvertently dislocated)



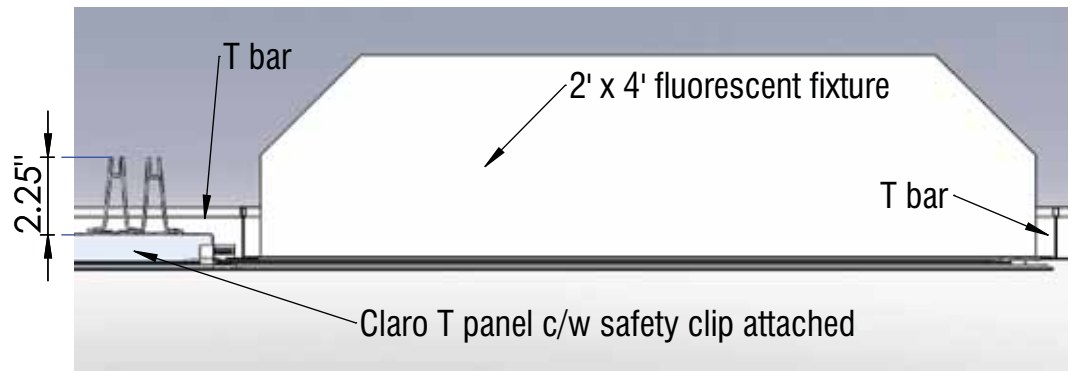
- Side View - Claro T Typical Air Grille Diffuser Installation

Typical Component Installation Details Claro T

Typical 2' x 4' Fluorescent Fixture Installation



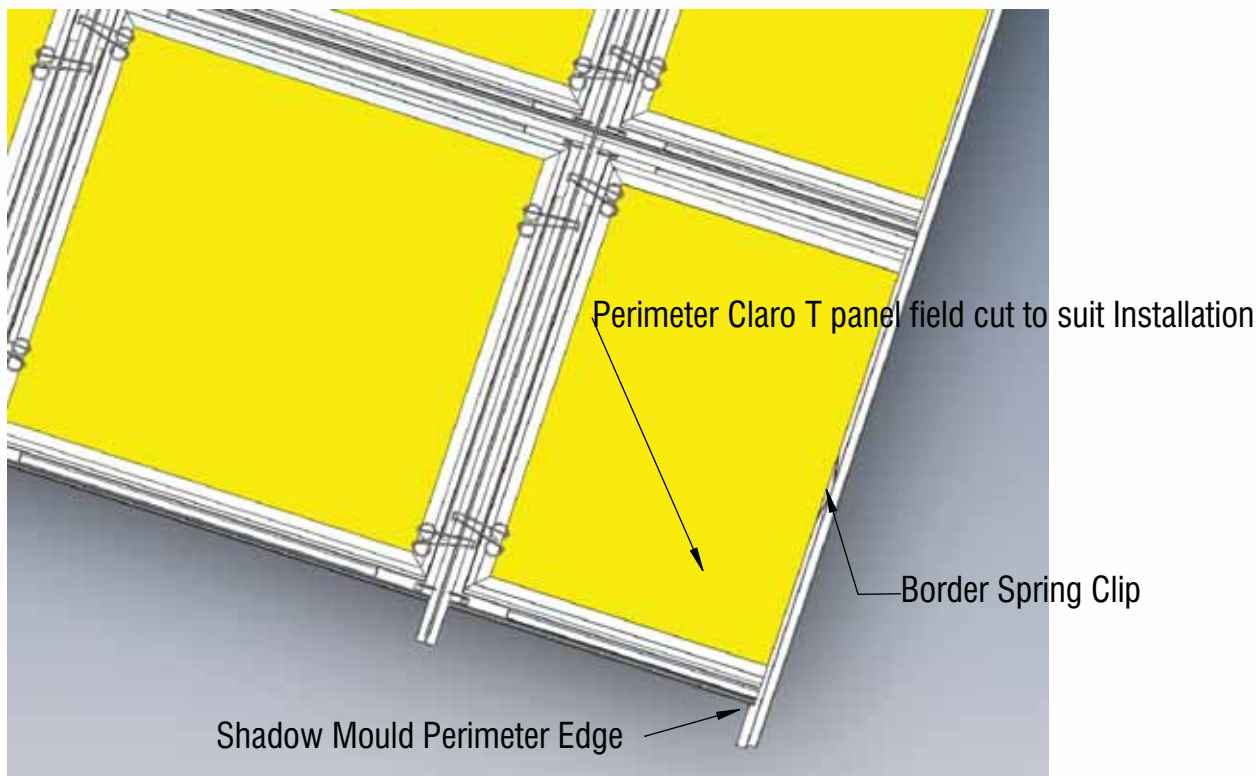
Claro T panels utilizing standard heavy duty 15/16" T bar can accommodate the use of standard 2' x 4' fluorescent fixture. The diagram below illustrates a typical fluorescent fixture installation detail. (Note : the angled wire safety clips attached to the back of the panels ensure that the panels will not fall out of the "T" bar ceiling should they be inadvertently dislocated)



- Side View - Claro T Typical 2' x 4' Fluorescent Fixture Installation

Typical Component Installation Details Claro T

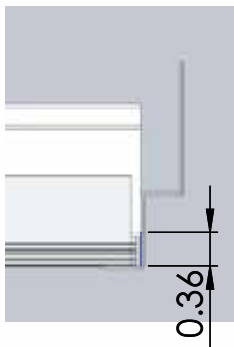
Typical Perimeter Wall Installation



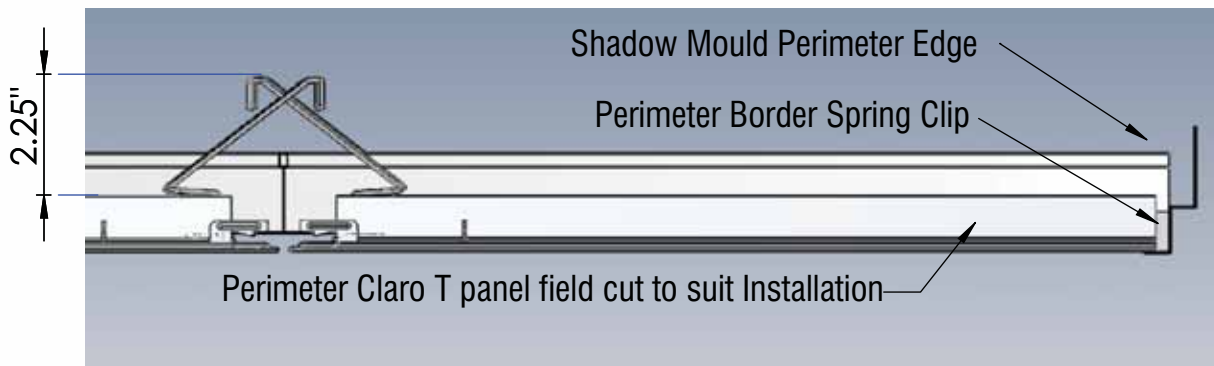
Perimeter wall installations of Claro T panels require the use of a continuous shadow or angle wall mould trim complete with a "bow tie" spring clip to finish the installation. The diagram below illustrates a typical perimeter wall installation detail. (Note : the angled wire safety clips used in conjunction with the bow tie spring clips ensure that the panels will not fall out of the "T" bar ceiling should they be inadvertently dislocated.)



Typical "border" spring clip incorporated into the perimeter shadow mould trim. The spring clip maintains the positioning of the perimeter Claro T ceiling panels.



Note: Perimeter edge must always be mounted .36" below the lip of the T bar ceiling rails. This is to ensure proper spacing for installation of site cut Claro T panels. The gap accommodates the height differential between the mounting clips and the lay in aspect of the perimeter panels.

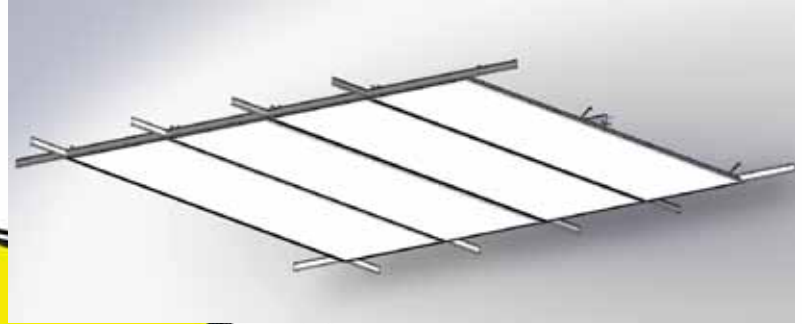


- Side View - Claro T Typical Perimeter Panel Installation

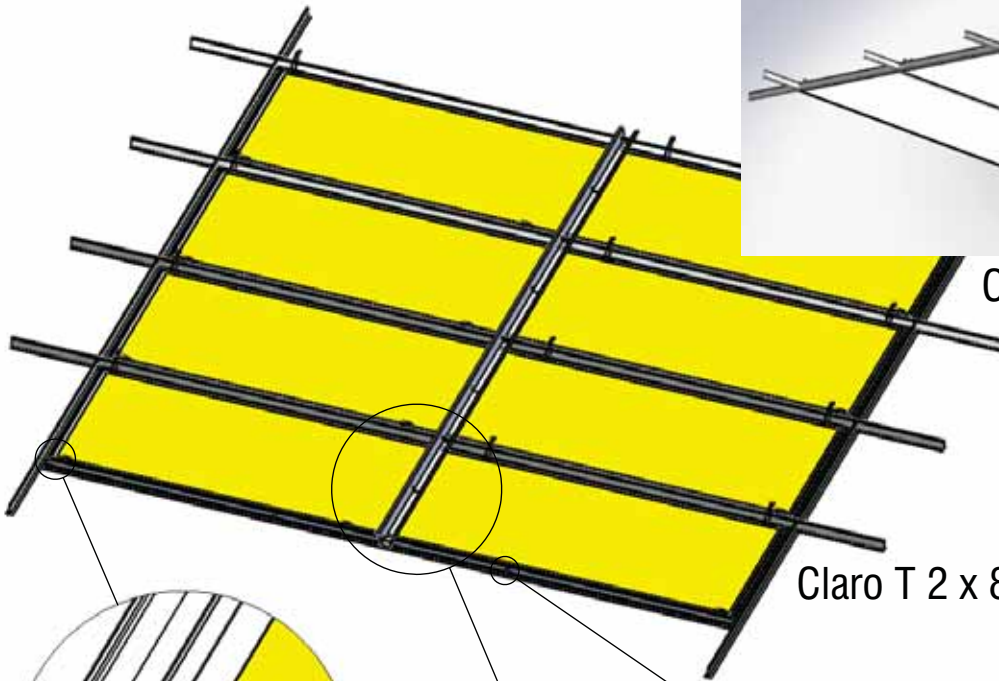
Typical Component Installation Details Claro T

Typical Grid Details; 2 x 8, 2 x 6, Claro T Installation

Installations of 2 x 6, 2 x 8, Claro T panels requires the use of a T bar alignment rail. The T bar alignment rail locates the T bar rails and maintains their orientation within the grid layout. The diagram below illustrates a typical grid assembly. (Note: the six angled wire safety clips and the four midpoint clips incorporated in the panel assembly. These fixtures ensure that the panels will not fall out of the "T" bar ceiling should they be inadvertently dislocated.)



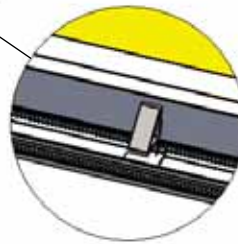
Claro T 2 x 8 Panel Installation



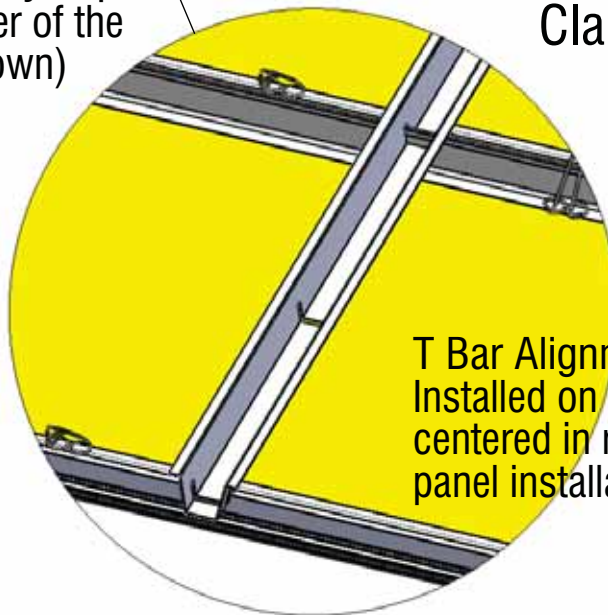
Claro T 2 x 8 Grid Assembly



Gusset Clip and Wire Safety Clip Installed on the inner corner of the Claro T panel edge (as shown)



Midpoint Clip Installed on the Claro T panel edge (as shown)



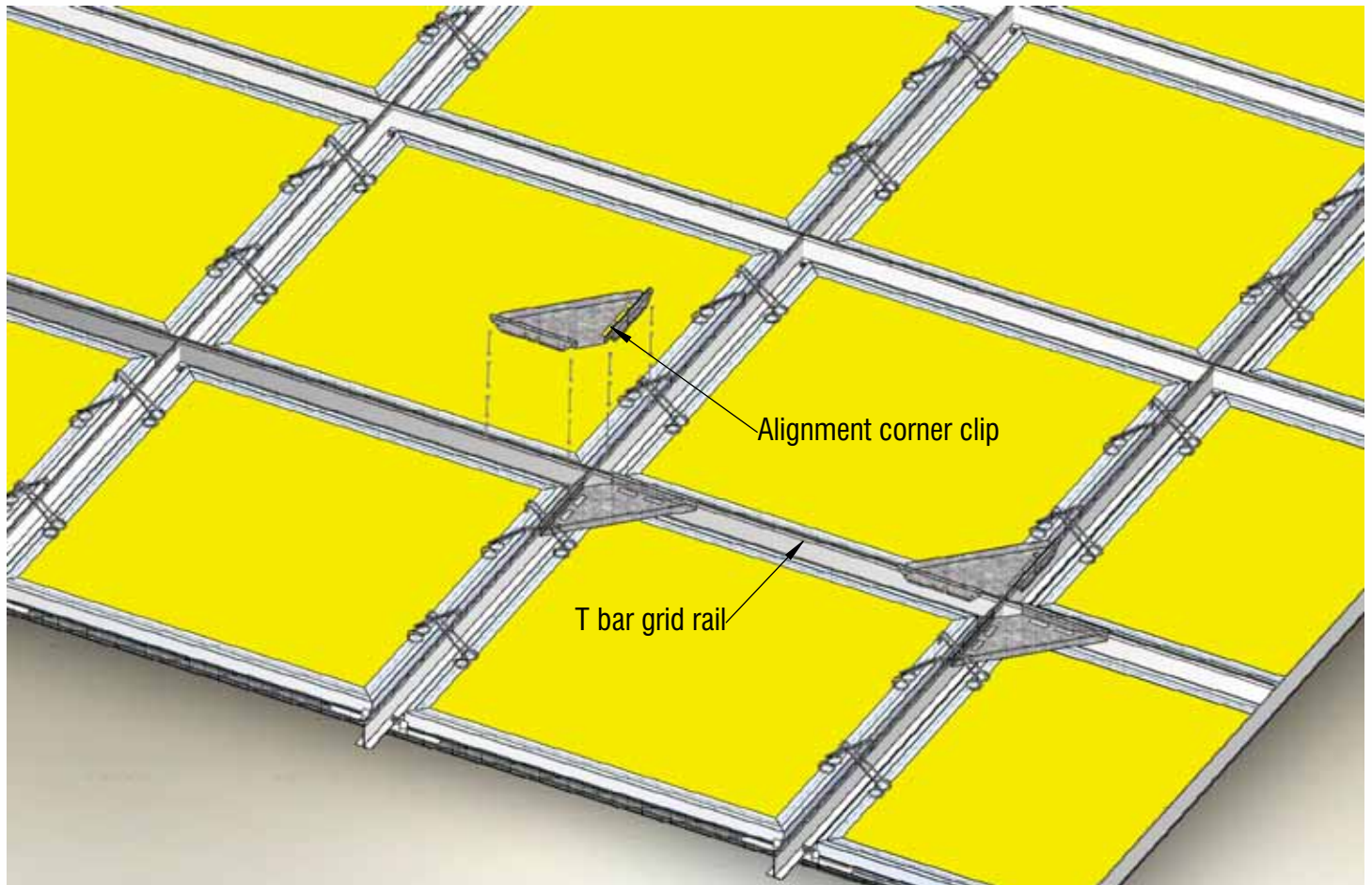
T Bar Alignment Rail Installed on the top bulb of the bar centered in relation to the Claro T panel installation.

Claro T Panel Accessories

Typical Component Installation Details Claro T

Typical Grid Details Claro T Installation

Installations of Claro T panels may require the use of an optional alignment corner clip. The T bar alignment corner clip locates the T bar rails and maintains their orientation within the grid layout. The diagram below illustrates a typical grid assembly. (Note : the installation of alignment corner clips. These fixtures ensure that the grid is installed into the ceiling square and properly aligned to accept Claro T ceiling panels.)



Typical alignment corner clip. Clips are installed and mount to the top of the T bar bubble. The clip is held in position as a friction fit and helps maintain alignment of the T bar grid rails.